

KSAS025 SERIES:



30 Watt Single Output Models

measure only 3.48 x 1.70 x 1.57"

Features:

- Universal AC Input
- Class II Isolation
- <0.3W No Load Power Consumption (max)
- Compliant with Level V Efficiency Standards
- Small Size and Lightweight Package
- Low Noise & Class B Emissions
- International Safety Approvals (Safety Class II)
- 1 Year Warranty



INPUT:

Input Voltage	90-264 VAC
Input Frequency	47-63Hz
Inrush Current	100A Max @ 230 VAC Cold Start
No Load Input Power	Less than 0.3 Watts
Input Protection	Single Fuse
Hold-Up Time	>10ms minimum
Input Power	37.6W (max continuous)
Input Current	900mA (max continuous)

OUTPUT:

Minimum Load	0.05A to maintain regulation
Line Regulation	±5% (maximum)
Load Regulation	±5% (10-100% load)
Ripple & Noise	±1% typ. pk-pk @ 20MHz
Overload Protection	110-200% (Auto-Recovery)
Over Voltage	Clamped Output Voltage
Short Circuit Protection	Continuous

GENERAL:

Efficiency	83.63% minimum
Operating Temperature	0 to 40°C full load, derate 5% per °C to 50°C max.
Storage Temperature	-20°C to +80°C
Over-Temp Protection	>50°C Shutdown (Ambient)
Cooling	Convection Cooled
Temp Co-Efficient	0.04% per °C
Operating Humidity	5-90% RH, Non-Condensing
Vibration	5 ~ 50 Hz, acceleration 7.35 m/s*s on X,Y and Z Axis
MTBF	>50k Hrs (according to MIL-HBK-217F) at 30°C

EMC:

Electrostatic Discharge	EN61000-4-2, ±4KV Contact / ±8KV Air Discharge
Radiated Susceptibility	EN61000-4-3, 80-1000MHz, 3V/M, 80% AM
EFT / Bursts	EN61000-4-4, ±1KV Power Line (Criteria B)
Surges	EN61000-4-5, ±2KV Line-Earth, ±1KV Line-Line
Conducted Immunity	EN61000-4-6, 0.15-800MHz, 10V, 80% AM
Voltage Dips	EN61000-4-10, 95% Dip & 10ms, 30% Dip & 500ms
Voltage Interruptions	EN61000-4-11, 95% reduction, 5s
Fluctuations & Flicker	EN61000-3-3

APPROVALS:

Emissions EN55022 "B", FCC Part 15 Subject J Class B

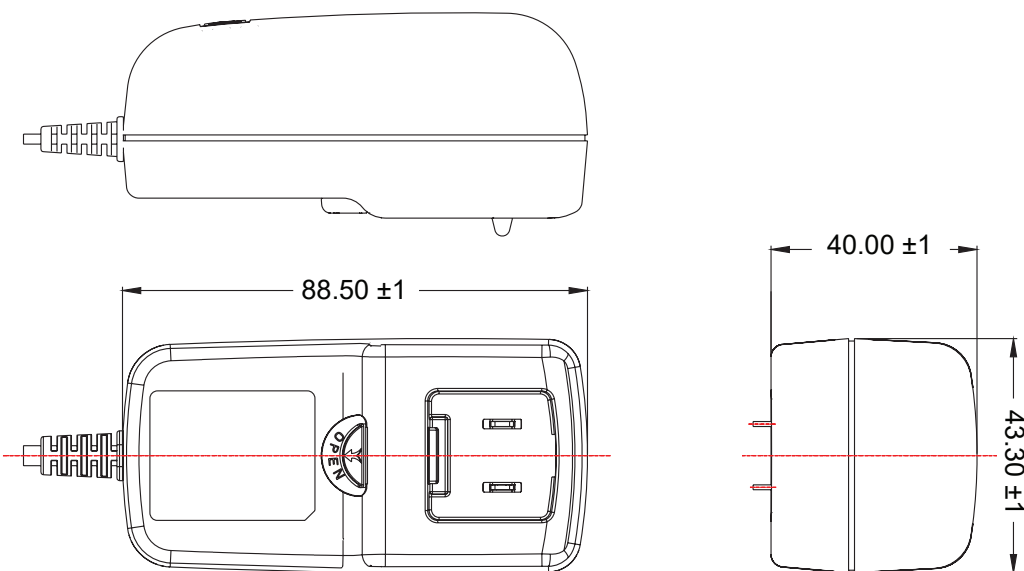
Safety Approvals	UL 60950-1	CCC GB4943
	CSA C22.2 NO.950	PSE J60950
	TUV/VDE-EN60950-1	BS EN60950-1
	AS/NZS 60950.1	CE Mark

KSAS025 SERIES:

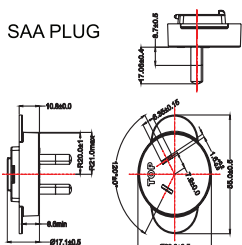
Output Specifications:

Models:	Output Voltage	Output Current
KSAS0251200250D5	12V	2.50A

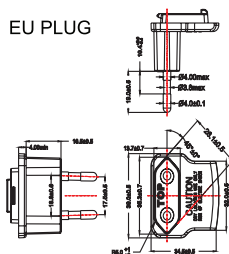
- Please consult with APS for unique voltage setpoints ranging from 2.8~48VDC with this family of products.
- Standard Output cable is 6 feet in length.
- See DC Connector chart (<http://advpower.com/dcconnector.pdf>) for standard Output Connector Options.



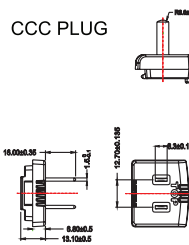
SAA PLUG



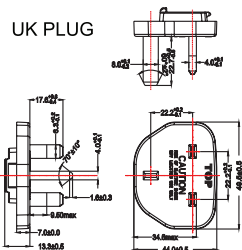
EU PLUG



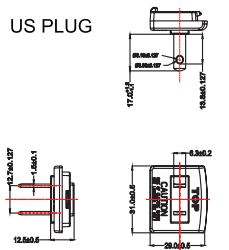
CCC PLUG



UK PLUG



US PLUG



NOTE: 1. Case cover & chassis material:
SE-1/SE-100 / BLACK
2. AC PIN MATERIAL: BRASS (NI PLATED)
3. PAHS+ROHS