

A2-50 SERIES:



50 Watt Desktop Switcher

- 3.94 x 2.28 x 1.30" Desktop Package

Features:

- Level VI Compliance for Green Applications
- No-Load Input Power < 0.3W
- High Efficiencies > 87%
- Class I or Class II Safety Approvals
- Universal AC Input
- Compact Size
- International Safety Approvals
- 2 Year Warranty

INPUT:

| | |
|------------------|---|
| Input Voltage | Universal Input (90~264 VAC) |
| Input Frequency | 47-63Hz |
| Input Current | 0.8 (max continuous) |
| Input Protection | Single Fuse |
| Hold-Up Time | 10mS , Full Load (minimum) |
| Leakage Current | Class I <3500µA @ 240 VAC Maximum Class II < 250µA @ 240 VAC Maximum |

GENERAL:

| | |
|-----------------------|---|
| Efficiency | 87% minimum |
| Operating Temperature | 0°C to +40°C Full Load, derate5%/°C from 40°C to 50°C |
| Storage Temperature | -40°C to +85°C |
| Cooling | Convection Cooled |
| Operating Humidity | 5-90% RH, Non-Condensing |
| Vibration | 5 ~ 50 Hz, acceleration 7.35 m/s*s on X,Y and Z Axis |
| MTBF | >40k Hrs minimum @ 25°C ambient |

OUTPUT:

| | |
|--------------------------|-------------------------------------|
| Adjustment Range | Fixed at Factory |
| Minimum Load | None |
| Regulation | ±5% Load / ±2% Line |
| Ripple & Noise | 250mV max pk-pk @ 20MHz |
| Overload Protection | 125-150% of max power (Hiccup Mode) |
| Over Voltage | Latching before 130% of nominal |
| Short Circuit Protection | Continuous (auto-recovery) |

APPROVALS:

| | |
|------------------|---------------------------------------|
| Emissions | FCC Class B |
| Safety Approvals | TUV EN60950-1 LPS CE Mark (LVD) |

A2-50 Series:

Output Specifications:

| Model: | V1 | A1 |
|--------------------|-------|-------|
| A2-50S12R-X-12#@ | 12V | 4.16A |
| A2-50S12R-X-13.5#@ | 13.5V | 3.70A |
| A2-50S12R-X-15#@ | 15V | 3.33A |
| A2-50S18R-X-18#@ | 18V | 2.77A |
| A2-50S18R-X-19#@ | 19V | 2.63A |
| A2-50S18R-X-20#@ | 20V | 2.50A |
| A2-50S18R-X-24#@ | 24V | 2.08A |

* Designate desired AC Inlet option by replacing X with one of the following Options:

V = IEC-320 C14

U = IEC-30 C8

W = IEC-320 C6

* Designate Class I or Class II Safety Approvals by replacing # with

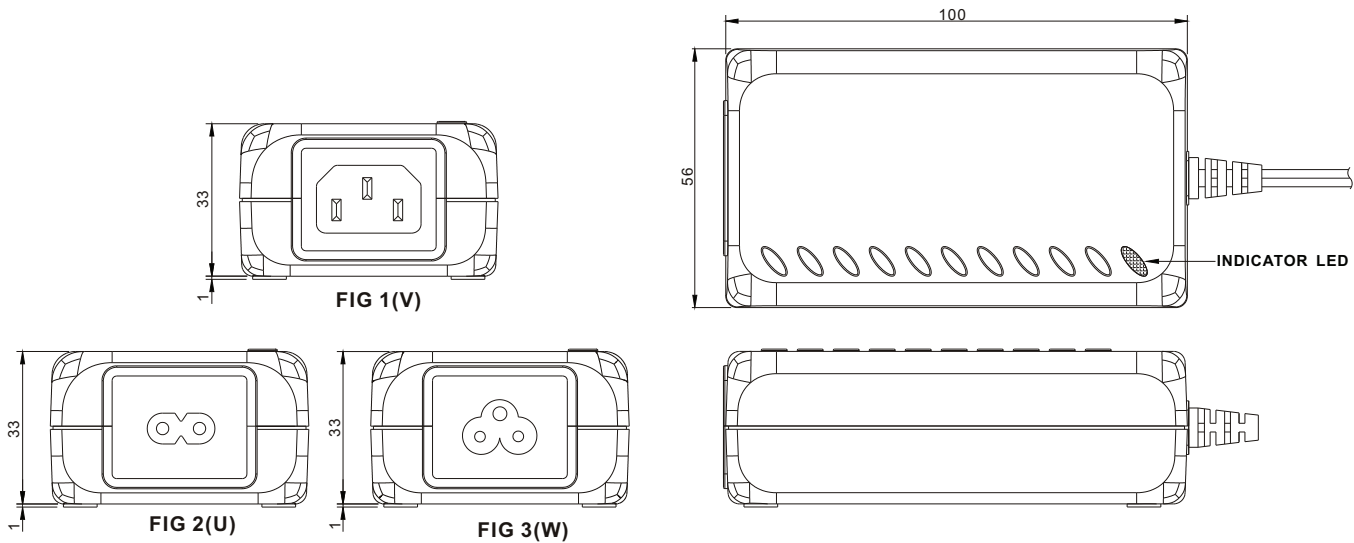
A= Class I

B = Class II

* Designate Output Connector by replacing @ with connector designation as defined by the DC Connector Options document located here:

<http://www.advancedpowersolutions.com/images/prod/pdfs/connectors.pdf>

OUTLINE DRAWING:



WEIGHT: 250g