



5.91 x 2.36 x 1.32"

### Input

Input Voltage	Universal (90-264 VAC)
Input Frequency	47-63Hz
Inrush Current	7.2Arms @ 230 VAC / 50Hz
Input Current	0.98A @ 115 VAC / 0.50A @ 230 VAC Max
Hold-Up Time	22ms @ 115 VAC / 43ms @ 230 VAC Full Load
Power Factor	EN61000-3-2 Class D Compliant
Green Power	0.37W @ 132 VAC / 0.50W @ 264VAC

### Output

Minimum Load	n/a
Line Regulation	±0.3% typ.
Load Regulation	2% typ.
Ripple & Noise	1% typ. pk-pk @ 20MHz
Overload Protection	>110~135% of rated load
OverVoltage Protection	Latch
Adjustment	Fixed
Transient Response	voltage returns < 1mS following a 25% load change

### Features:

- \* Medical Safety Approvals
- \* Green Power Compliant
- \* Universal AC Input
- \* Active Power Factor Correction per EN61000-3-2
- \* Small Desktop package
- \* Worldwide Safety Approvals
- \* EN55022 & FCC Class B Emissions
- \* CE Mark

### General

Efficiency	87% Typ.
Switching Frequency	73KHz
Operating Temperature	0 to 40°C full load, derate 5% per °C to 50°C max.
Storage Temperature	-20°C to +85°C
Cooling	Convection
Temp Co-Efficient	0.04% per °C
Topology	Fixed frequency flyback circuit

### EMC & Safety



Emissions EN55011 "B", FCC Class B

Safety Approvals UL/cUL60601-1  
EN60601-1  
CE Mark (LVD)

Model Number	Output	
APS100ESM-S120070-xxx	12V	7.00A
APS100ESM-S150070-xxx	15V	7.00A
APS100ESM-S190053-xxx	19V	5.3A
APS100ESM-S240042-xxx	24V	4.2A

Add suffix to designat input style:

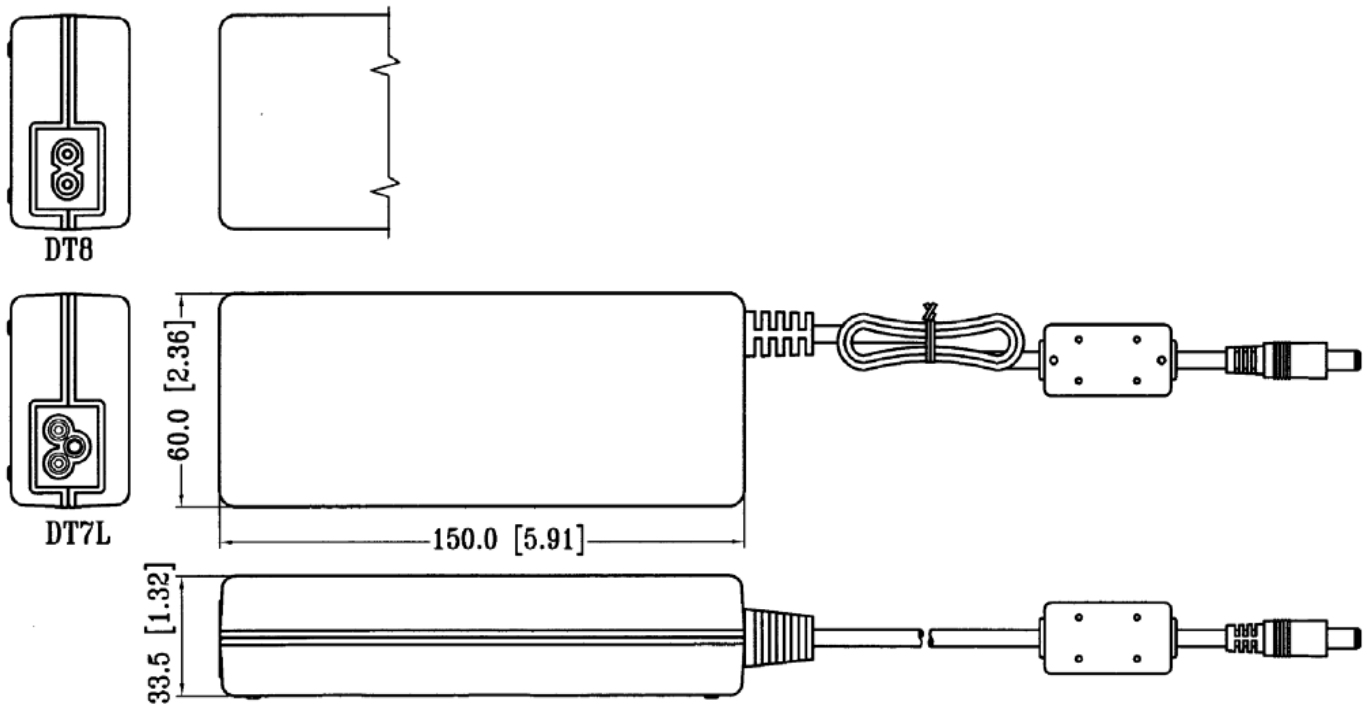
DT8 for 2-Prong AC Inlet

DT7L for 3-Prong AC Inlet



All Advanced Power Solutions (APS) products will be RoHS compliant. Products that are compliant will bear the suffix "-LF" in their part number. APS will continue to ship non-RoHS product until all inventory has been consumed unless customer's have specifically ordered the parts with the "-LF" suffix.

***Mechanical Specifications:***



WEIGHT: 400g (14.180z.)

Standard Output Cable Length is 6 feet

See Output Connector Chart for standard output connector options