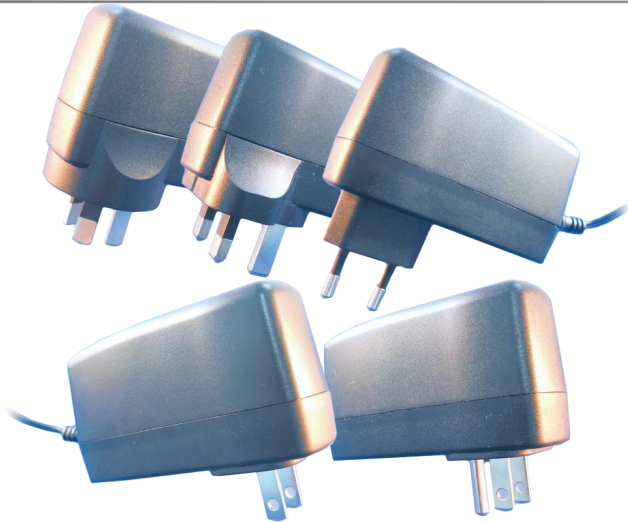


PA1045Hxy SERIES:



45 Watts / Single Output

- 3.68 x 2.35 x 1.59" AUS Wallmount Case
- 3.68 x 2.28 x 1.93" UK Wallmount Case
- 3.68 x 2.09 x 1.38" EU Wall Mount Case
- 3.68 x 2.09 x 1.38" US Wall Mount Case

Features:

- Universal AC Input (90~264 VAC Input Range)
- Class I or Class II Safety Approved Models
- Level V Efficiencies
- Class B Emissions
- International Safety Approvals
- 2 Year Warranty

INPUT:

Input Voltage	90~264 VAC (Universal AC Input)
Input Frequency	47-63Hz
Inrush Current	80A @ 230 VAC Cold Start (max)
Input Current	1500mA maximum
Input Protection	Single Fuse
Hold-Up Time	10ms Minimum
Leakage Current	<700 μ A @ 240 VAC Maximum
Harmonics	EN61000-3-2 Class A Compliant
Green Power	Less than 0.37W @ 132 VAC (No Load) Less than 0.50W @ 264 VAC (No Load)

GENERAL:

Efficiency	86% Minimum
Operating Temperature	0-40°C, derate linearly to 50% Load at 50°C
Storage Temperature	-20°C to +85°C
Cooling	Convection Cooled
Operating Humidity	5-95% RH, Non-Condensing
Vibration	5 ~ 50 Hz, acceleration 7.35 m/s ² on X,Y and Z Axis
MTBF	>100k Hrs (according to MIL-HBK-217F) at 25°C

OUTPUT:

Minimum Load	n/a
Line Regulation	\pm 1% max
Load Regulation	\pm 5% max
Ripple & Noise	\pm 1% typ. pk-pk @ 20MHz
Overload Protection	110-135% of max power (Foldback)
Over Voltage	>130% of nominal (auto-recovery)
Short Circuit Protection	Continuous (auto-recovery)

APPROVALS:

Emissions	EN55022 "B", FCC Part 15 Subject J Class B
Safety Approvals	UL/cUL 60950-1 CB EN60950-1 CE Mark (LVD)



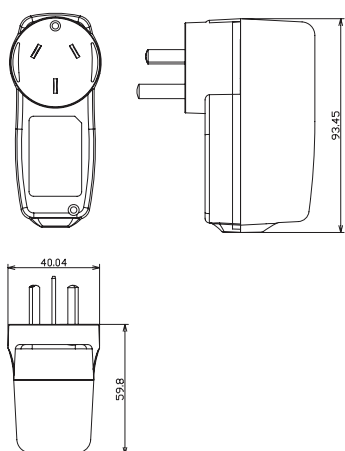
PA1045Hxy SERIES:

Output Specifications:			
Model:	Vout	Max Output Current	Factory VDC Setpoint Range
PA1045-120Hxy	12V	3.33A	10.6~15.0V
PA1045-135Hxy	13.5V	3.33A	10.6~15.0V
PA1045-150Hxy	15V	3.00A	10.6~15.0V
PA1045-180Hxy	18V	2.50A	15.1~21.0V
PA1045-180Hxy	19V	2.37A	15.1~21.0V
PA1045-200Hxy	20V	2.25A	15.1~21.0V
PA1045-240Hxy	24V	1.88A	21.1~30.0V
PA1045-360Hxy	36V	1.25A	30.1~40.0V
PA1045-480Hxy	48V	0.94A	40.1~50.0V

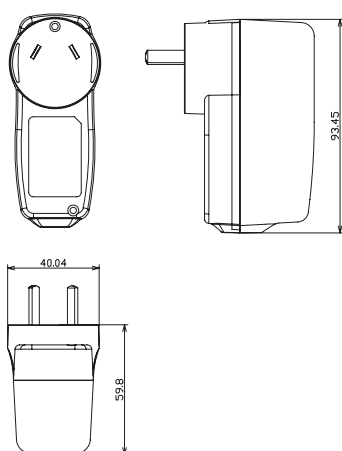
- Designate wallmount case by replacing "x" with one of the following suffixes:
 A = AUS Case B = UK Case E = EU Case U = American Case
- Designate Safety Protection Class I or Class II by replacing "y" with one of the following suffixes:
 A = Class I Safety Approvals (grounded) B = Class II Safety Approvals (No Ground)
- Output voltages may be set to any voltage within the setpoint range and maintain all safeties. Minimum order quantities may apply.
- Standard DC Output Cable Length is 6 feet.
- Additional suffix to designate output connector is required, see connector options at <http://www.advpower.com/dcconnector.pdf>

OUTLINE DRAWINGS:

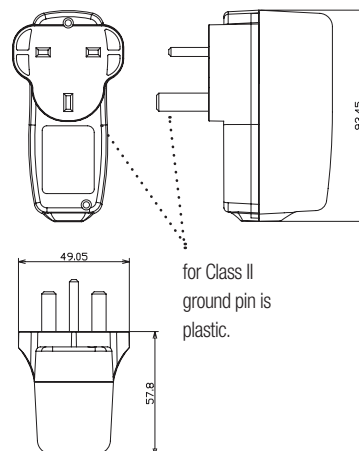
AA (AUS Plug & Class I Safety)



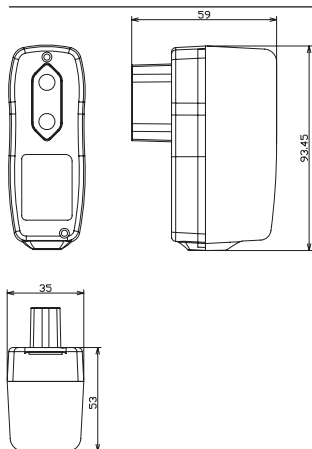
AB (AUS Plug & Class II Safety)



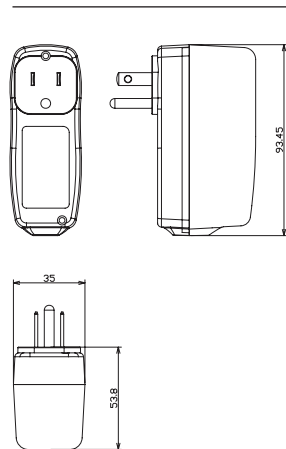
BA & BB (UK Plug & Class I and Class II Safety)



EB (EU Plug & Class II Safety)



UA (American Plug & Class I Safety)



UB (American Plug & Class II Safety)

